



**LOTO SAFETY REQUISITES TRADING L.L.C.**  
 Tel:+971-4-4539779 Fax:+971-4-4539778 DUBAI - UAE  
 E-mail:info@lotosafetyproducts.com

**CALL US TODAY: +971-50-5843270**  
[www.lotosafetyproducts.com](http://www.lotosafetyproducts.com)

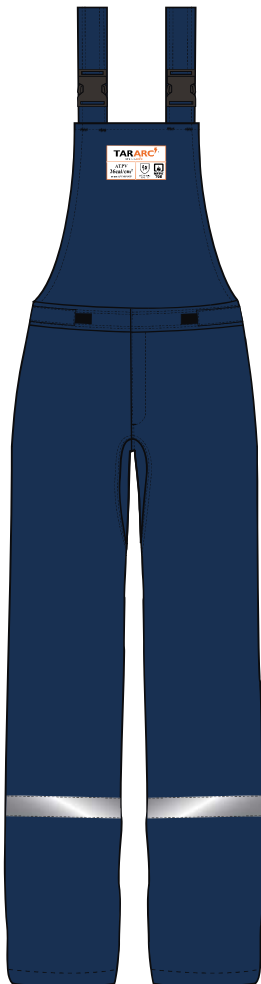
**ARC FLASH 26 CAL KIT COMPOSITION**



**MAHAN**

**ARC FLASH KIT 26 CAL - NAVY BLUE**

**BIB**



**COAT**



**HOOD BAG**



**HOOD WITHOUT FAN**



**GEAR BAG**

**Model No.: BLOKARC-MHN26-KT**

EN 2-1-61482	IEC 2-1-61482	IEC 1-1-61482	ASTM F19-1506a	NFPA 70E 33	ATPV 26 CAL/CM² ASTM F 1959	EN 13758-2 40+



**LOTO SAFETY REQUISITES TRADING L.L.C.**  
 Tel:+971-4-4539779 Fax:+971-4-4539778 DUBAI - UAE  
 E-mail:info@lotosafetyproducts.com

**CALL US TODAY: +971-50-5843270**  
[www.lotosafetyproducts.com](http://www.lotosafetyproducts.com)

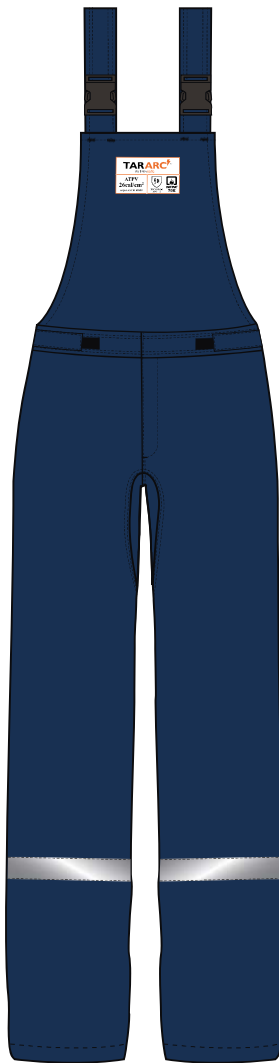
**ARC FLASH 26 CAL BIB OVERALL**



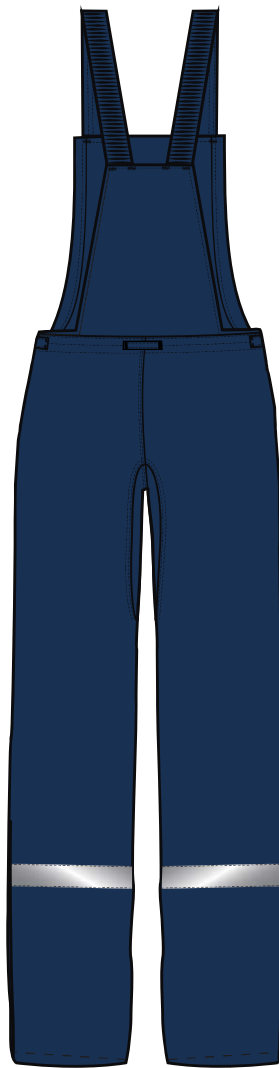
**MAHAN**



**FRONT**



**BACK**



**Composition**  
 2 Layered Lenzing Viscose  
 Modalylic Cotton Aramid Multi  
 Fiber Blend

**Weave:** Rip Stop

**Finish:** Durable Flame Retardant

**Weight:** 430 GSM (±5%)

EN 2-1-61482	IEC 2-1-61482	IEC 1-1-61482	ASTM F19-1506a	NFPA 70E 3	ATPV 26 CAL/CM² ASTM F 1959	EN 13758-2 40+

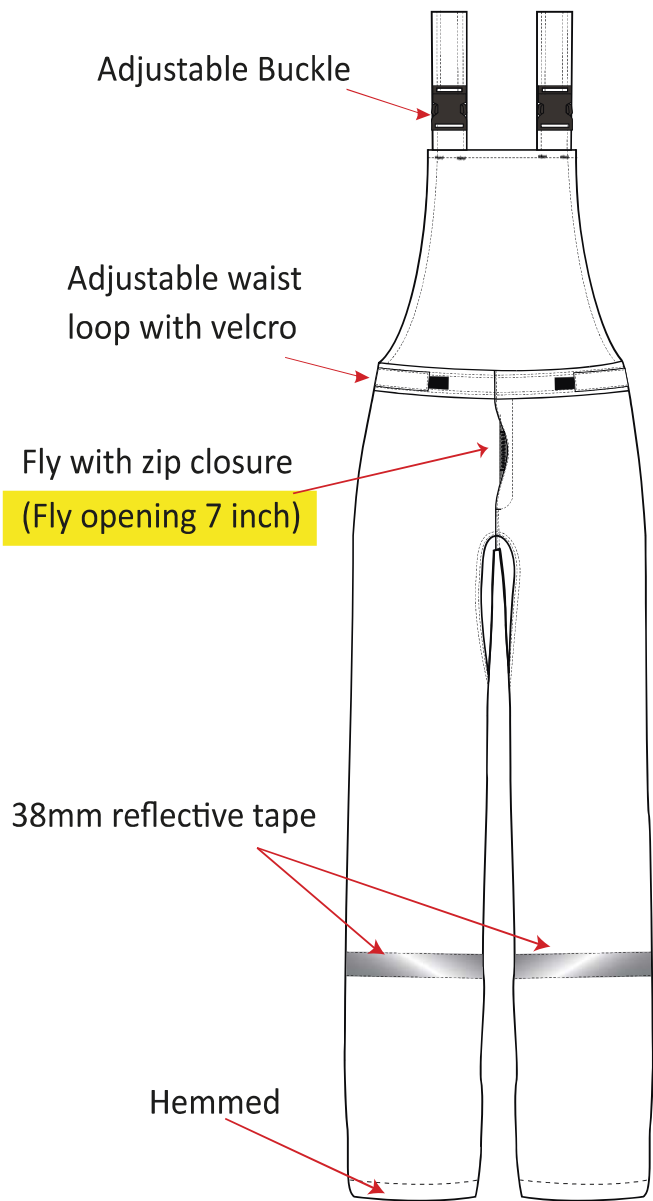


**ARC FLASH 26 CAL BIB OVERALL**

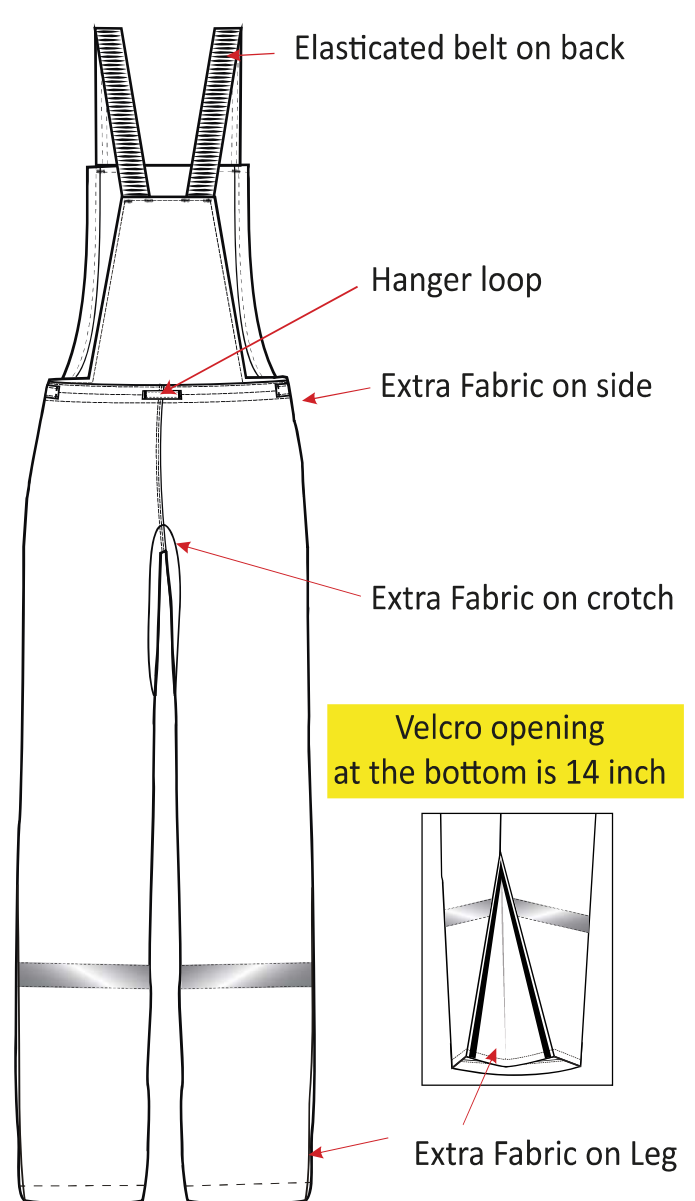


**MAHAN**

**FRONT**



**BACK**



EN 2-1-61482	IEC 2-1-61482	IEC 1-1-61482	ASTM F19-1506a	NFPA 70E 3	ATPV 26 CAL/CM² ASTM F 1959	EN 13758-2 40+

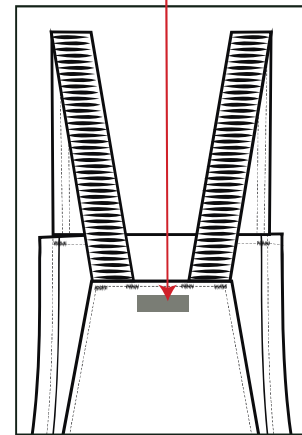
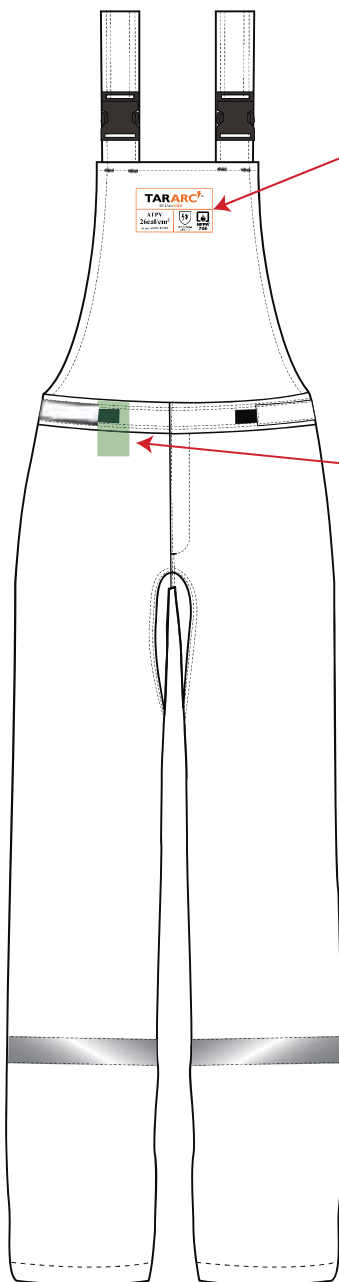


**ARC FLASH 26 CAL BIB OVERALL - LABEL**

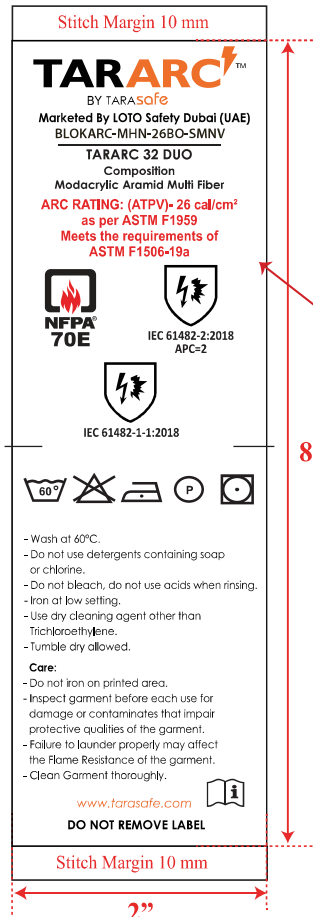


**MAHAN**

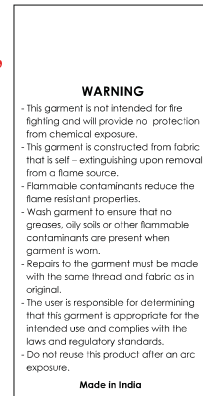
**LABELING**



Main label  
 Position : Front right waist inside



Warning label  
 Position : Under the main label





**LOTO SAFETY REQUISITES TRADING L.L.C.**  
 Tel:+971-4-4539779 Fax:+971-4-4539778 DUBAI - UAE  
 E-mail:info@lotosafetyproducts.com

**CALL US TODAY: +971-50-5843270**  
[www.lotosafetyproducts.com](http://www.lotosafetyproducts.com)

**ARC FLASH 26 CAL 32" LENGTH COAT**



**MAHAN**

**FRONT**



32 in

**Composition**  
 2 Layered Lenzing Viscose  
 Modalylic Cotton Aramid Multi  
 Fiber Blend

**Weave:** Rip Stop

**Finish:** Durable Flame Retardant

**Weight:** 430 GSM ( $\pm 5\%$ )

**BACK**



35.5 in

EN 2-1-61482	IEC 2-1-61482	IEC 1-1-61482	ASTM F19-1506a	NFPA 70E 3	ATPV 26 CAL/CM² ASTM F 1959	EN 13758-2 40+



**LOTO SAFETY REQUISITES TRADING L.L.C.**  
 Tel:+971-4-4539779 Fax:+971-4-4539778 DUBAI - UAE  
 E-mail:info@lotosafetyproducts.com

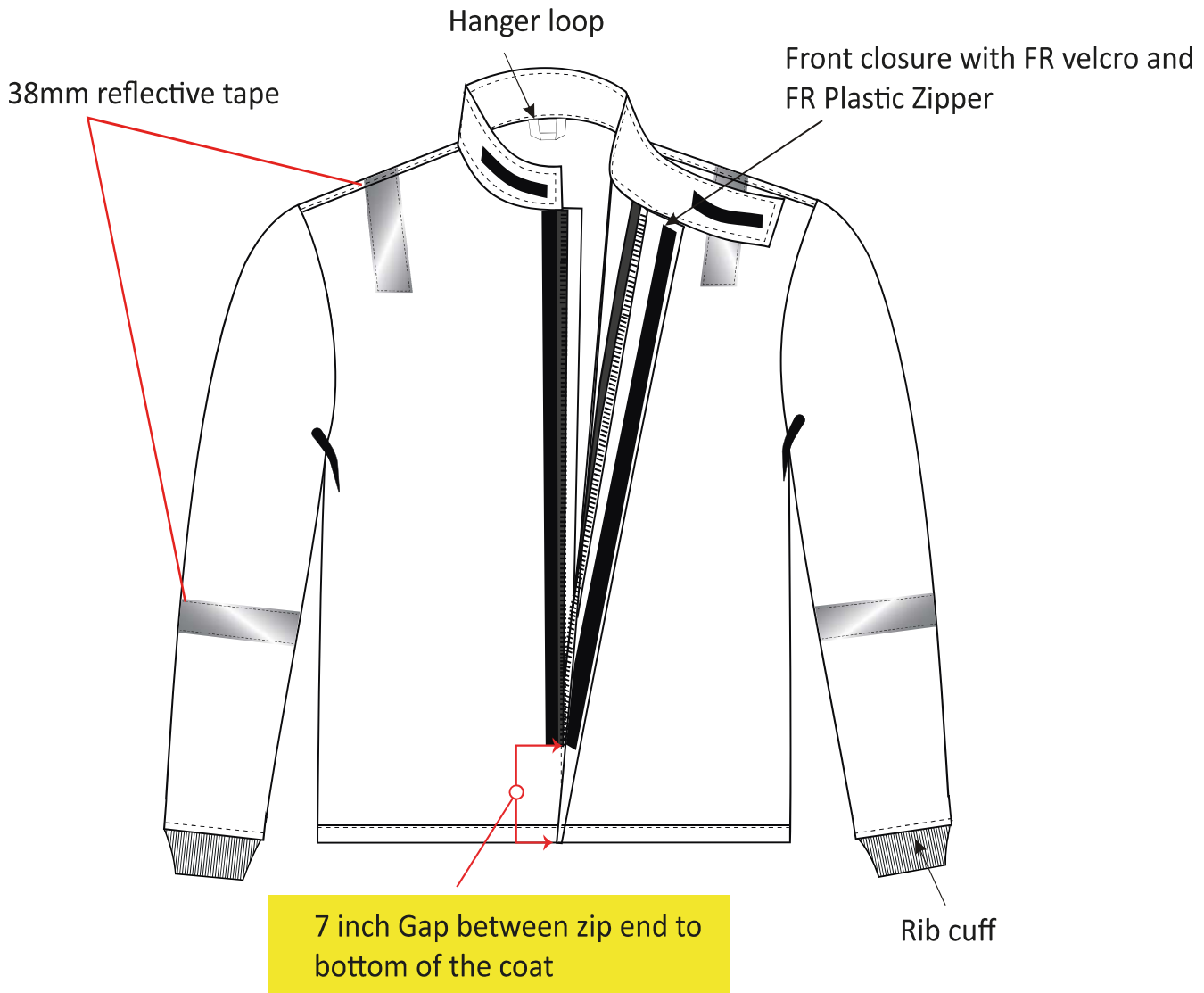
**CALL US TODAY: +971-50-5843270**  
[www.lotosafetyproducts.com](http://www.lotosafetyproducts.com)

**ARC FLASH 26 CAL 32" LENGTH COAT**



**MAHAN**

**FRONT**



EN 2-1-61482	IEC 2-1-61482	IEC 1-1-61482	ASTM F19-1506a	NFPA 70E 3	ATPV 26 CAL/CM² ASTM F 1959	EN 13758-2 40+



**LOTO SAFETY REQUISITES TRADING L.L.C.**  
 Tel:+971-4-4539779 Fax:+971-4-4539778 DUBAI - UAE  
 E-mail:info@lotosafetyproducts.com

**CALL US TODAY: +971-50-5843270**  
[www.lotosafetyproducts.com](http://www.lotosafetyproducts.com)

**ARC FLASH 26 CAL 32" LENGTH COAT - LABEL**



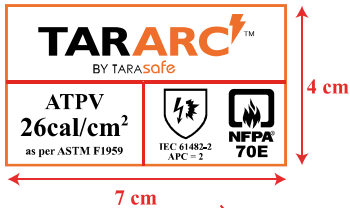
**MAHAN**

**LABELING**

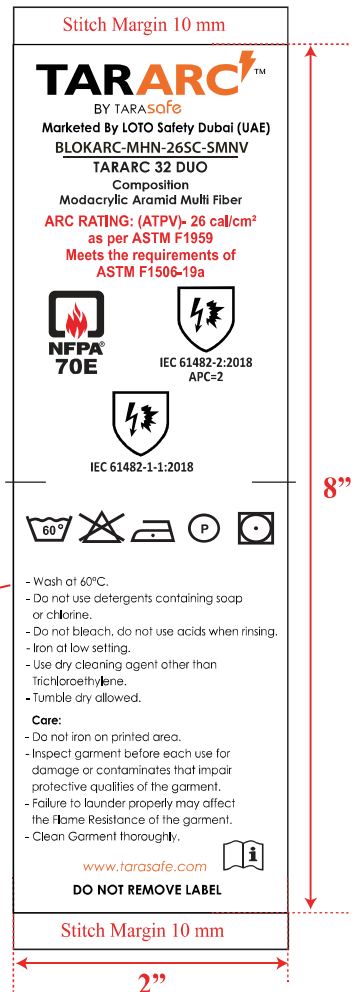
Size label (changeable)  
 Position: Back neck inside



Heat Transfer label

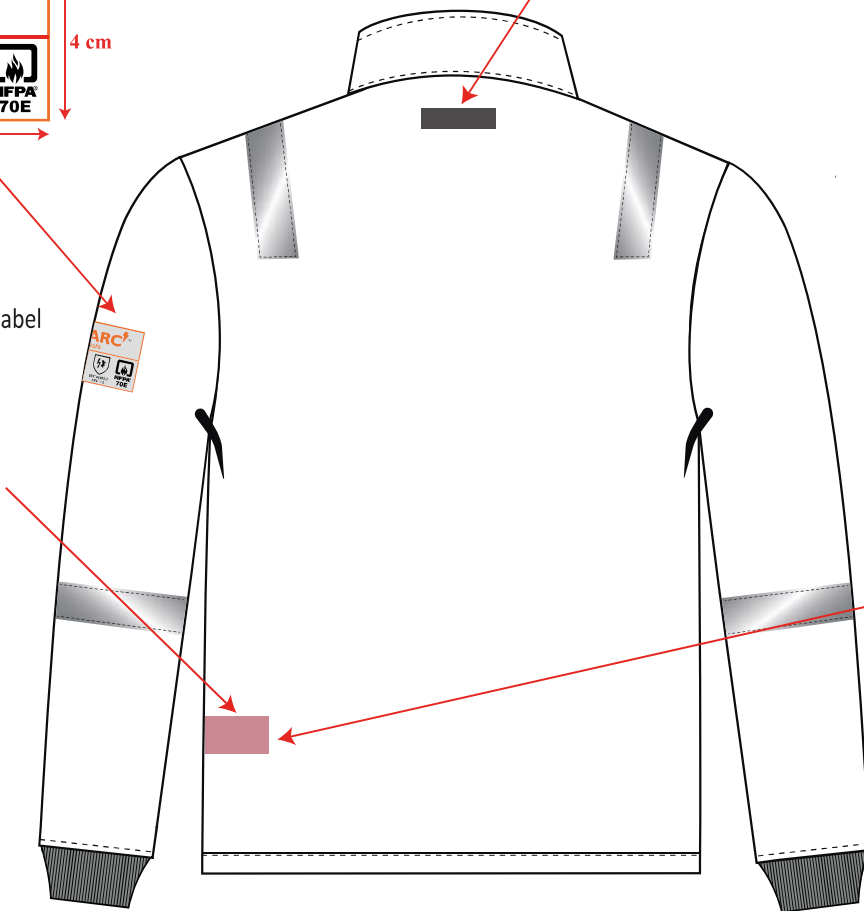
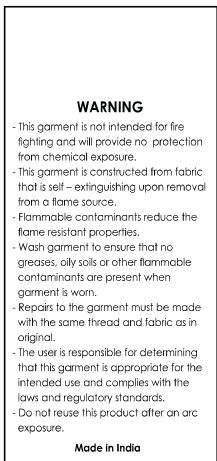


Main Label  
 Position: Left side seam inside



Warning label

Position : Under the main label





**LOTO SAFETY REQUISITES TRADING L.L.C.**  
 Tel:+971-4-4539779 Fax:+971-4-4539778 DUBAI - UAE  
 E-mail:info@lotosafetyproducts.com

**CALL US TODAY: +971-50-5843270**  
[www.lotosafetyproducts.com](http://www.lotosafetyproducts.com)

**ARC FLASH 26 CAL HOOD WITHOUT FAN**

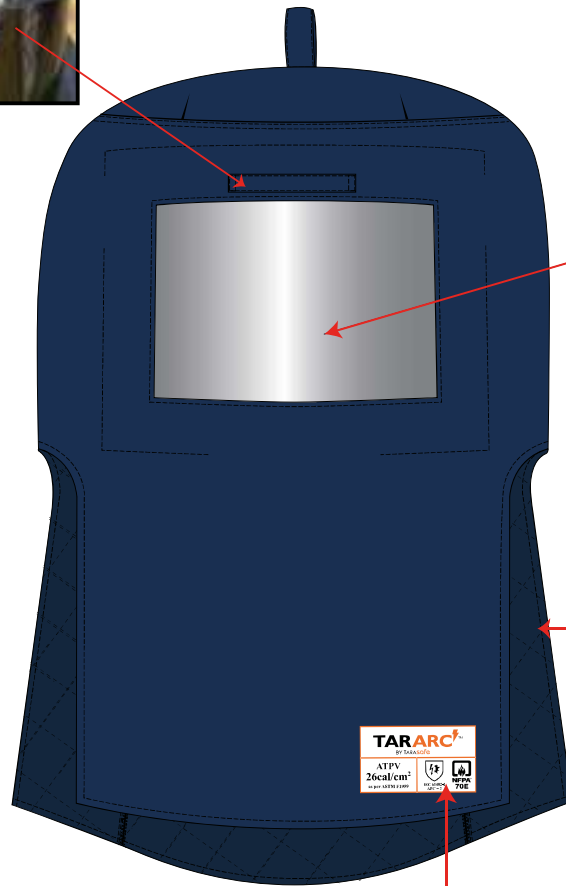


**MAHAN**

<b>Composition</b>
2 Layered Lenzing Viscose Modarylic Cotton Aramid Multi Fiber Blend
<b>Weave:</b> Rip Stop
<b>Finish:</b> Durable Flame Retardant
<b>Weight:</b> 430 GSM (±5%)

**FRONT**

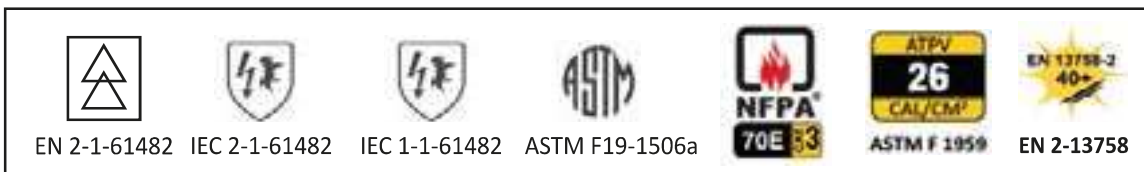
Loop For attached light



OBERON (USA)  
True Color Grey  
Faceshield

Lining inside

Heat Tranfer label







**LOTO SAFETY REQUISITES TRADING L.L.C.**  
Tel:+971-4-4539779 Fax:+971-4-4539778 DUBAI - UAE  
E-mail:info@lotosafetyproducts.com

**CALL US TODAY: +971-50-5843270**  
[www.lotosafetyproducts.com](http://www.lotosafetyproducts.com)

**ARC FLASH 26 CAL HOOD WITHOUT FAN**



**MAHAN**

**BACK**



						
EN 2-1-61482	IEC 2-1-61482	IEC 1-1-61482	ASTM F19-1506a	NFPA 70E 3	ATPV 26 CAL/CM² ASTM F 1959	EN 13758-2 40+



**ARC FLASH 26 CAL HOOD WITHOUT FAN - LABEL**



**MAHAN**

**LABELING**

Stitch Margin 10 mm

**TARARC**<sup>TM</sup>  
 BY TARAsafe  
 Marketed By LOTO Safety Dubai (UAE)  
 BLOKARC-MHN-26HD-NOF  
 TARARC 32 DUO  
 Composition  
 Modacrylic Aramid Multi Fiber  
**ARC RATING: (ATPV)- 26 cal/cm<sup>2</sup>**  
 as per ASTM F1959  
 Meets the requirements of  
 ASTM F1506-19a

IEC 61482-1-1:2018

- Wash at 60°C.
- Do not use detergents containing soap or chlorine.
- Do not bleach, do not use acids when rinsing.
- Iron at low setting.
- Use dry cleaning agent other than Trichloroethylene.
- Tumble dry allowed.

**Care:**

- Do not iron on printed area.
- Inspect garment before each use for damage or contaminants that impair protective qualities of the garment.
- Failure to launder properly may affect the Flame Resistance of the garment.
- Clean Garment thoroughly.

[www.tarasafe.com](http://www.tarasafe.com)

**DO NOT REMOVE LABEL**

Stitch Margin 10 mm

2" (width)  
8" (height)

**WARNING**

- This garment is not intended for fire fighting and will provide no protection from chemical exposure.
- This garment is constructed from fabric that is self – extinguishing upon removal from a flame source.
- Flammable contaminants reduce the flame resistant properties.
- Wash garment to ensure that no greases, oily soils or other flammable contaminants are present when garment is worn.
- Repairs to the garment must be made with the same thread and fabric as in original.
- The user is responsible for determining that this garment is appropriate for the intended use and complies with the laws and regulatory standards.
- Do not reuse this product after an arc exposure.

**Made in India**

**TARARC**<sup>TM</sup>  
 BY TARAsafe

**ATPV**  
**26cal/cm<sup>2</sup>**  
 as per ASTM F1959

7 cm (width)  
4 cm (height)



**LOTO SAFETY REQUISITES TRADING L.L.C.**  
 Tel:+971-4-4539779 Fax:+971-4-4539778 DUBAI - UAE  
 E-mail:info@lotosafetyproducts.com

**CALL US TODAY: +971-50-5843270**  
[www.lotosafetyproducts.com](http://www.lotosafetyproducts.com)

**ARC FLASH 26 CAL HOOD WITH FAN**



**MAHAN**

**Composition**  
 2 Layered Lenzing Viscose  
 Modarylic Cotton Aramid Multi  
 Fiber Blend

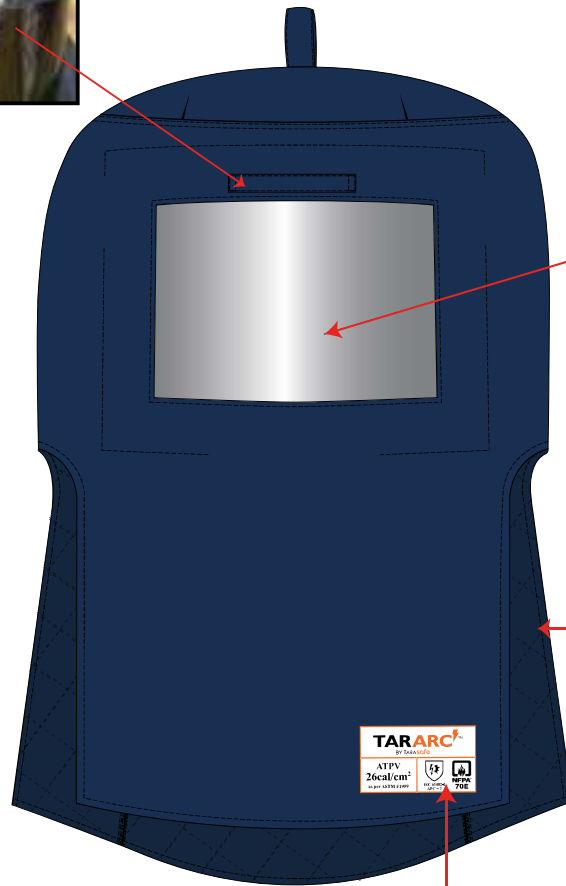
**Weave:** Rip Stop

**Finish:** Durable Flame Retardant

**Weight:** 430 GSM (±5%)

**FRONT**

Loop For attached light



OBERON (USA)  
 True Color Grey  
 Faceshield

Lining inside



Heat Tranfer label

EN 2-1-61482	IEC 2-1-61482	IEC 1-1-61482	ASTM F19-1506a	NFPA 70E 33	ATPV 26 CAL/CM² ASTM F 1959	EN 13758-2 40+



**LOTO SAFETY REQUISITES TRADING L.L.C.**  
Tel:+971-4-4539779 Fax:+971-4-4539778 DUBAI - UAE  
E-mail:info@lotosafetyproducts.com

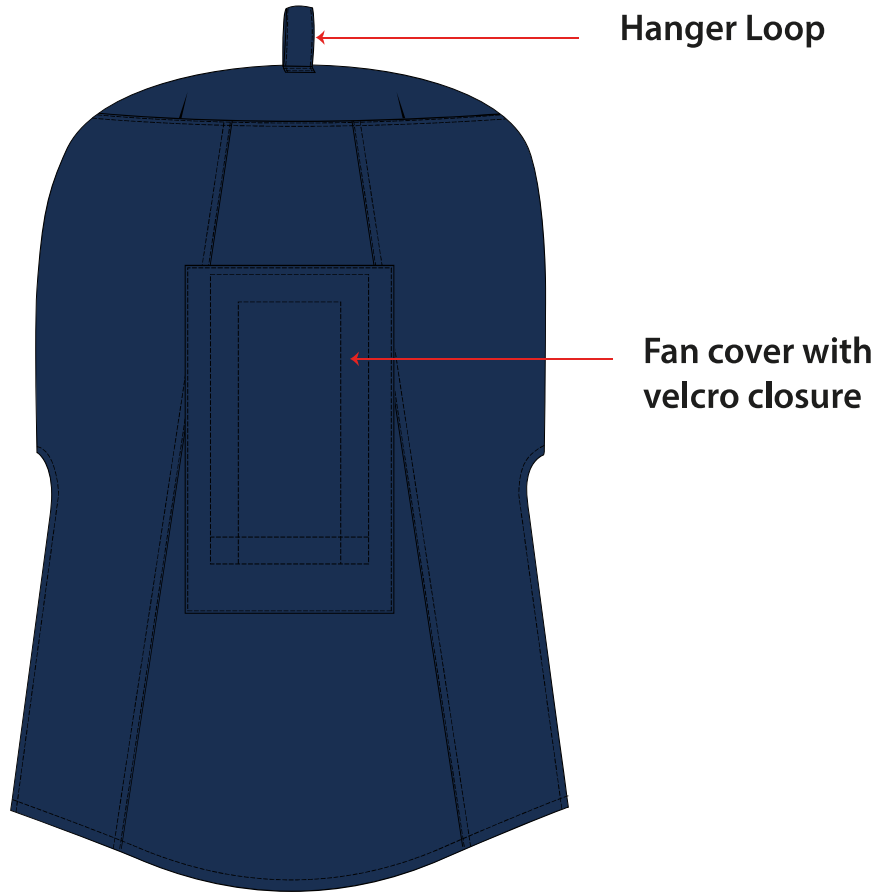
**CALL US TODAY: +971-50-5843270**  
[www.lotosafetyproducts.com](http://www.lotosafetyproducts.com)

**ARC FLASH 26 CAL HOOD WITH FAN**



**MAHAN**

**BACK**



EN 2-1-61482	IEC 2-1-61482	IEC 1-1-61482	ASTM F19-1506a	NFPA 70E 3	ATPV 26 CAL/CM² ASTM F 1959	EN 13758-2 40+

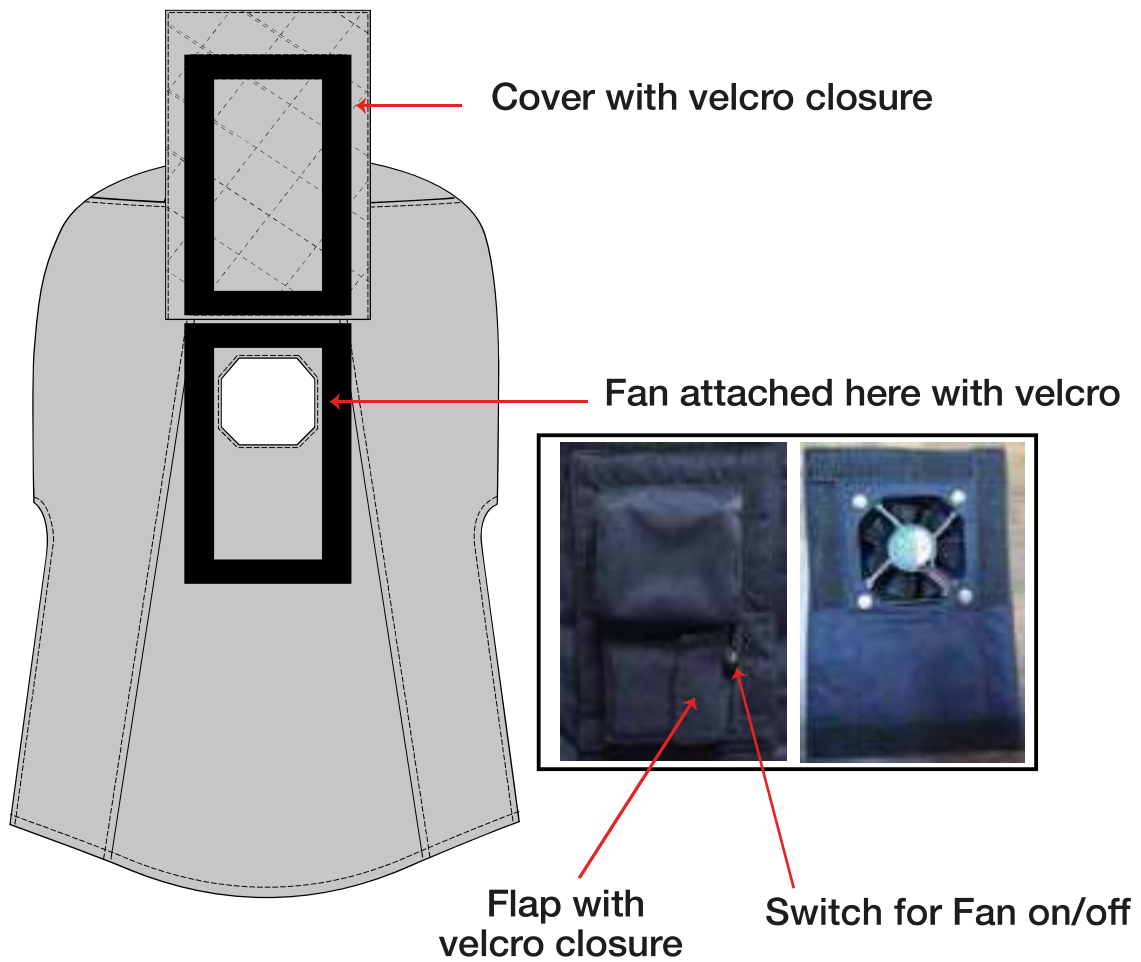


**ARC FLASH 26 CAL HOOD WITH FAN**



**MAHAN**

**FAN DETAILS**





**ARC FLASH 26 CAL HOOD WITH FAN - LABEL**



**MAHAN**

**LABELING**

Stitch Margin 10 mm

**TARARC**<sup>TM</sup>  
 BY TARAsafe  
 Marketed By LOTO Safety Dubai (UAE)  
 BLOKARC-MHN-26HD-WF  
 TARARC 32 DUO  
 Composition  
 Modacrylic Aramid Multi Fiber  
**ARC RATING: (ATPV)- 26 cal/cm<sup>2</sup>**  
 as per ASTM F1959  
 Meets the requirements of  
 ASTM F1506-19a

IEC 61482-1-1:2018

- Wash at 60°C.
- Do not use detergents containing soap or chlorine.
- Do not bleach, do not use acids when rinsing.
- Iron at low setting.
- Use dry cleaning agent other than Trichloroethylene.
- Tumble dry allowed.

**Care:**

- Do not iron on printed area.
- Inspect garment before each use for damage or contaminants that impair protective qualities of the garment.
- Failure to launder properly may affect the Flame Resistance of the garment.
- Clean Garment thoroughly.

[www.tarasafe.com](http://www.tarasafe.com)

**DO NOT REMOVE LABEL**

Stitch Margin 10 mm

2" (width)  
8" (height)

**WARNING**

- This garment is not intended for fire fighting and will provide no protection from chemical exposure.
- This garment is constructed from fabric that is self – extinguishing upon removal from a flame source.
- Flammable contaminants reduce the flame resistant properties.
- Wash garment to ensure that no greases, oily soils or other flammable contaminants are present when garment is worn.
- Repairs to the garment must be made with the same thread and fabric as in original.
- The user is responsible for determining that this garment is appropriate for the intended use and complies with the laws and regulatory standards.
- Do not reuse this product after an arc exposure.

**Made in India**

**TARARC**<sup>TM</sup>  
 BY TARAsafe

**ATPV 26cal/cm<sup>2</sup>**  
 as per ASTM F1959

7 cm (width)  
4 cm (height)



**MEASUREMENT CHART - CMS / INCHES**



**MAHAN**

**BIB OVERALL SIZING: US/EU**

<b>BIB OVERALL MEASUREMENT CHART (In CMS)</b>							<b>Size Spec # 496</b>	
<b>Particulars</b>	<b>Tolerance (+/-)cm</b>	<b>S</b>	<b>M</b>	<b>L</b>	<b>XL</b>	<b>XXL</b>	<b>3XL</b>	
Waist	1	81.3	91.4	101.6	111.8	121.9	127.0	
Hip	1	101.6	111.8	121.9	132.1	142.2	147.3	
Length	1	149.9	149.9	149.9	149.9	149.9	149.9	
Inseam	1	78.7	78.7	78.7	78.7	78.7	78.7	
Fly opening	1	17.8	17.8	17.8	17.8	17.8	17.8	
Velcro opening at the bottom	1	35.6	35.6	35.6	35.6	35.6	35.6	

<b>BIB OVERALL MEASUREMENT CHART (In INCHES)</b>							<b>Size Spec # 496</b>	
<b>Particulars</b>	<b>Tolerance (+/-)cm</b>	<b>S</b>	<b>M</b>	<b>L</b>	<b>XL</b>	<b>XXL</b>	<b>3XL</b>	
Waist	1	32"	36"	40"	44"	48"	50"	
Hip	1	40"	44"	48"	52"	56"	58"	
Length	1	59"	59"	59"	59"	59"	59"	
Inseam	1	31"	31"	31"	31"	31"	31"	
Fly opening	1	7"	7"	7"	7"	7"	7"	
Velcro opening at the bottom	1	14"	14"	14"	14"	14"	14"	





**MEASUREMENT CHART - CMS / INCHES**

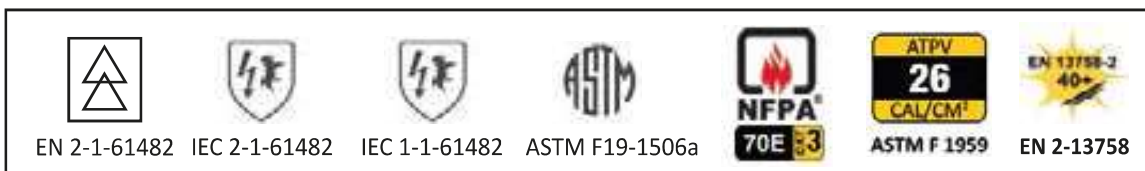


**MAHAN**

**SHORT COAT SIZING: US/EU**

32" LENGTH COAT MEASUREMENT CHART (In CMS)						Size Spec # 467	
Particulars	Tolerance (+/-)cm	SMALL	MEDIUM	LARGE	X-LARGE	XXL	3XL
Chest	1	121.9	132.1	137.2	147.3	152.4	162.6
Front Length from collar joint till bottom	1	81.3	81.3	81.3	81.3	81.3	81.3
Sleeve Length	1	63.5	66.0	66.0	66.0	66.0	66.0
Center back length	1	90.2	90.2	90.2	90.2	90.2	90.2
Zipper Length (7 INCH GAP FROM BOTTOM)	1	63.5	63.5	63.5	63.5	63.5	63.5
SHOULDER	1	50.8	55.9	58.4	61.0	63.5	63.5

32" LENGTH COAT MEASUREMENT CHART (In INCHES)						Size Spec # 467	
Particulars	Tolerance (+/-)cm	SMALL	MEDIUM	LARGE	X-LARGE	XXL	3XL
Chest	1	48"	52"	54"	58"	60"	64"
Front Length from collar joint till bottom	1	32"	32"	32"	32"	32"	32"
Sleeve Length	1	25	26	26	26	26	26
Center back length	1	35.5"	35.5"	35.5"	35.5"	35.5"	35.5"
Zipper Length (7 INCH GAP FROM BOTTOM)	1	25"	25"	25"	25"	25"	25"
SHOULDER	1	20	22	23	24	25	25







**FABRIC SPECIFICATION SHEET**



**MAHAN**



**TARARC 32 DUO**

Tararc™ is a range of Arc rated solutions providing outstanding protection against risks involved during Electric arc flash. These solutions provide superior wearer comfort and outstanding durability.

LIGHT WEIGHT SELF-EXTINGUISHING SOFT GOOD HANDLE NON-ALLERGIC

**TECHNICAL CHARACTERISTICS**

COMPOSITION	2 Layered Lenzing Viscose Modacrylic Cotton Aramid Multi Fiber Blend
WEAVE	Rip Stop
FINISH	Durable Flame Retardant
WEIGHT	430 GSM (±5%)

PARAMETERS	STANDARD	WARP	WEFT
TENSILE STRENGTH	EN ISO 13934-1	900 N	580 N
TEAR STRENGTH	EN ISO 13937-2	21 N	20 N
DIMENSIONAL STABILITY (60°C)	EN ISO 6330 / ISO 5077	± 3%	± 3%
HEAT SHRINKAGE (180±5°C)	ISO 17493:2000	<5%	
COLOR PERFORMANCE	ISO 105 C06	Grade 3 – 4	
CARE INSTRUCTION			

NORMS	PARAMETERS	RESULTS
EN 61482-1-2	Electric arc Protection (Box Test)	Class 2
IEC 61482-1-2	EU Certified- MAHAN Jacket & Trouser	APC=2
IEC 61482-1-1	Electric Arc Exposure (Open Arc Test)	ATPV- 25cal/cm <sup>2</sup>
NFPA 70E	Electric Arc Exposure: ASTM F1959/ ASTM F2621-19 – Mahan Jacket / Trouser	ATPV- 26 cal/cm <sup>2</sup>
	Additional Testing – ASTM F1506-19a	Met