

**3 PTP PREMIUM**



**ECONOMY**



**ALUMINIUM**



**CABLE**



**STEEL**



**A WIDE RANGE OF  
ENERGY ISOLATION  
LOCKOUT TAGOUT PADLOCKS**

**LOTO-LOK<sup>®</sup>**

# **CABLE LOCKOUT PADLOCK**



Meets OSHA 29 CFR 1910.147 regulation for Lockout Tagout

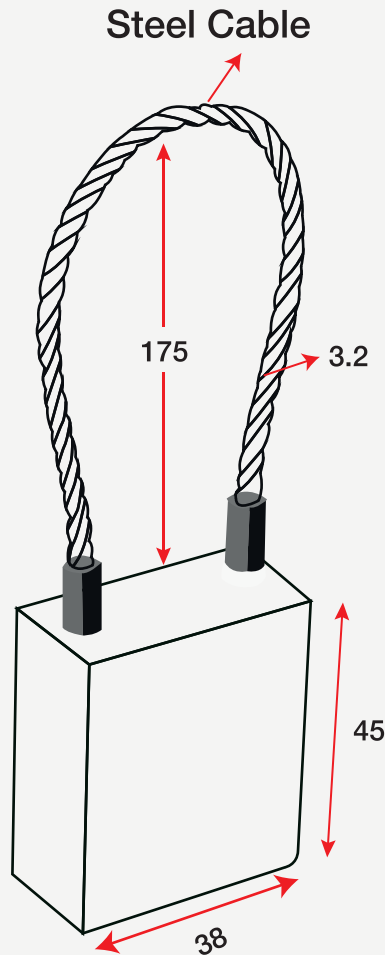
2 Keys per padlock

8 Colors

# LOTO LOK® CABLE LOCKOUT PADLOCK SELECTION GUIDE

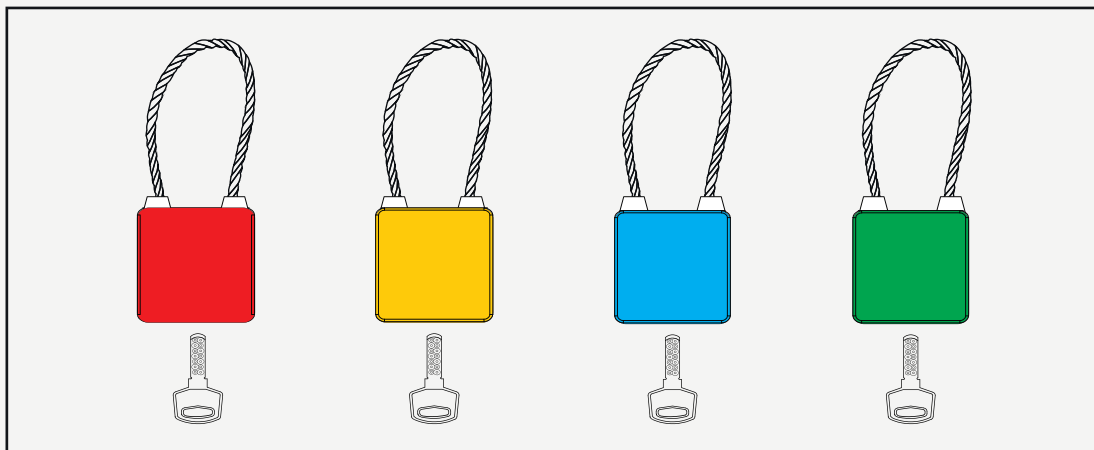
## KEYED DIFFERENT - 2 KEYS PER LOCK

Color	175 mm Shackle Length
	MODEL No.
RED	WSP-KDR175MM
YELLOW	WSP-KDY175MM
BLUE	WSP-KDB175MM
GREEN	WSP-KDG175MM
ORANGE	WSP-KDO175MM
BLACK	WSP-KDN175MM
PURPLE	WSP-KDP175MM
WHITE	WSP-KDW175MM



**KEYED DIFFERENT (KD)** padlocks cannot be master keyed. If key is lost or misplaced, the padlock has to be cut/destroyed.

Body Width : 38.0 mm.
Body Height : 45.0 mm.
Cable Diameter : 3.2 mm.
Cable Length : 175.0 mm.



★ Also available in Keyed Alike & Master Keyed system - customized on request. Minimum quantities and lead time applies.



# LOCKOUT / TAGOUT SAVES LIVES

Is your facility compliant to  
**OSHA 29 CFR 1910.147 standard?**

**LOTO DEVICES, PADLOCKS AND TAGS FOR  
ISOLATION OF HAZARDOUS ENERGY**

**CALL OR MAIL  
TO CONDUCT LOTO  
ASSESSMENTS AT  
YOUR FACILITY**



**LOTO SAFETY REQUISITES TRADING L.L.C.**

Belresheed Warehouse No.7, Next To Jacky's Electronics, Nad Al Hamar, P.O Box 114738, Dubai - UAE

Tel: +971-4-4539779 E-mail: [info@lotosafetyproducts.com](mailto:info@lotosafetyproducts.com) [www.lotosafetyproducts.com](http://www.lotosafetyproducts.com)