




**LOTO SAFETY REQUISITES TRADING L.L.C**





# LOTO-LOK<sup>®</sup>


## Car Seals

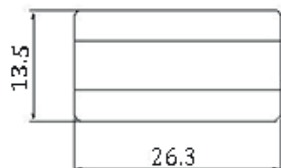
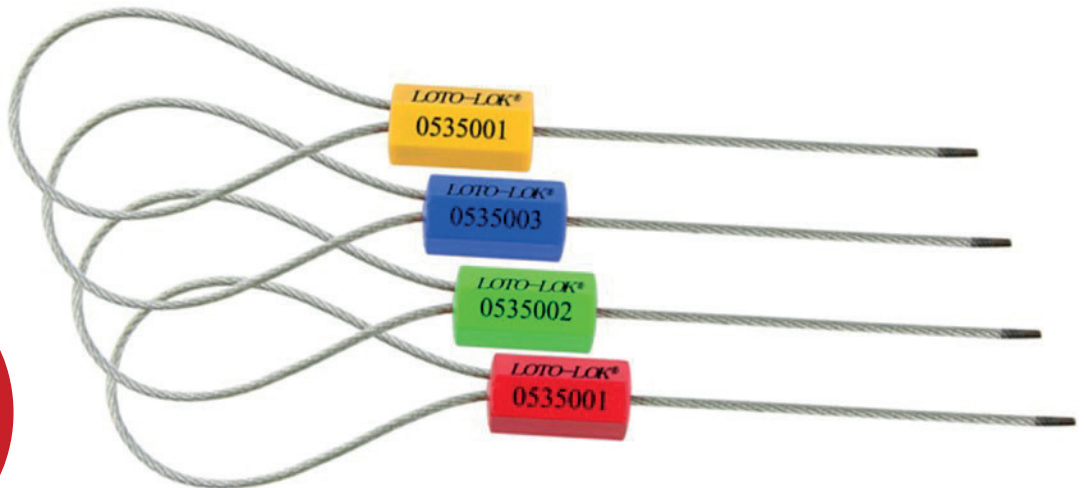
<b>Model No.</b>	CS-RED-1M CS-GRN-1M CS-GRY-1M CS-BLU-1M CS-BLK-1M
<b>Material</b>	Body: Aluminum / Zinc. Cable: Braided aeronautics steel wire rope.
<b>Size</b>	2.5mm wire dia x 1000mm Length
<b>Specifications</b>	Car Seals, Aluminum / Zinc Body, Galvanized Aircraft wire cable 1000mm Length. Self Locking with Unique Serial No. printed on each piece.
<b>Printing</b>	LOTO-LOK <sup>®</sup> . Company names, logos and numbers can be customized based on minimum quantity orders. Please call or mail for further details.
<b>Color</b>	Red / Green / Blue / Black / Grey 





# LOTO-LOK<sup>®</sup>

<b>Model No.</b>	MS-K2-YL300 (Yellow) MS-K2-RD300 (Red) MS-K2-GN300 (Green) MS-K2-RB300 (Royal Blue)
<b>Material</b>	Zinc extrusion wrapped with ABS
<b>Size</b>	Cable diameter: 1.8mm, cable length: 300mm
<b>Specifications</b>	Hexagon lock head with dimensions 14mm X 27mm Zinc extrusion wrapped with ABS Braided aircraft cable construction Petroleum & Sunlight resistant Pull tight locking mechanism, easy to place Average tensile strength: more than 250 kgf Removable by bolt/cable cutters
<b>Printing</b>	LOTO-LOK <sup>®</sup> brand and unique numbers on each seal. Client logo and serial numbers can be customized subject to minimum quantity.
<b>Color</b>	Yellow / Red / Green / Royal Blue  Other colors available subject to minimum quantity on forward delivery basis.




unit:mm

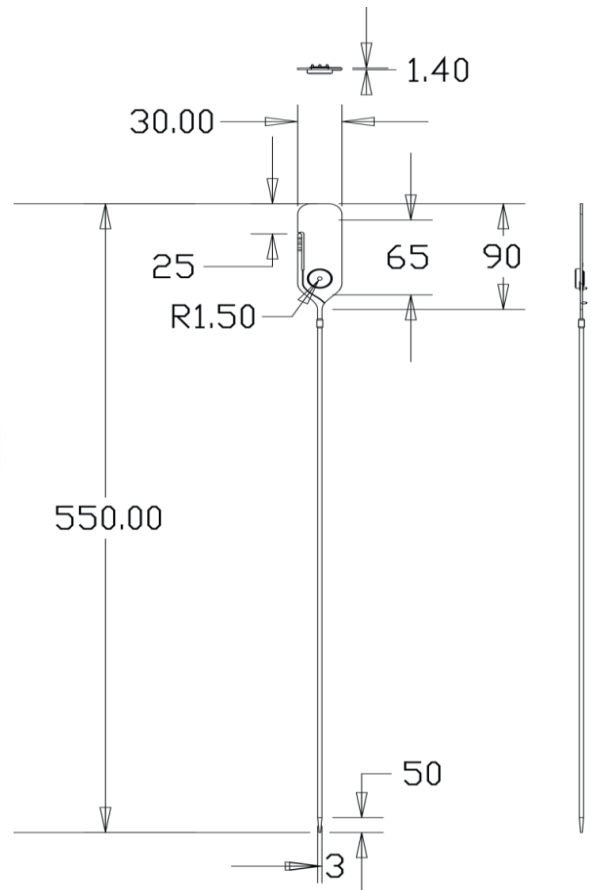
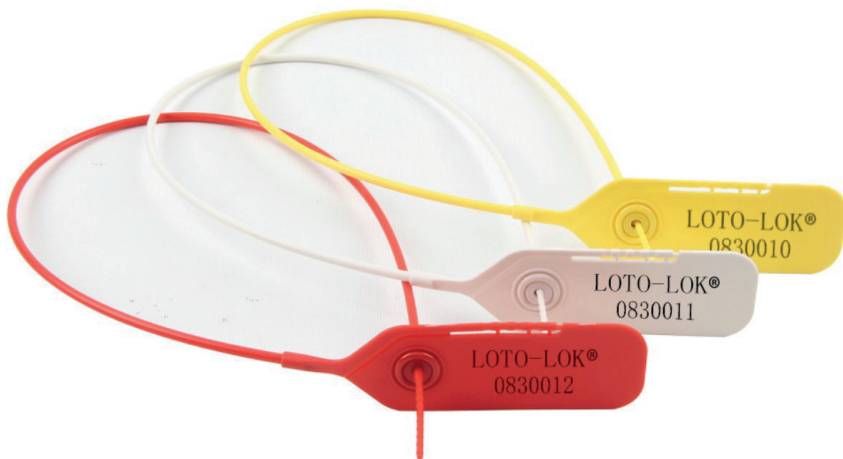




# LOTO-LOK<sup>®</sup>


## Security Plastic Seal

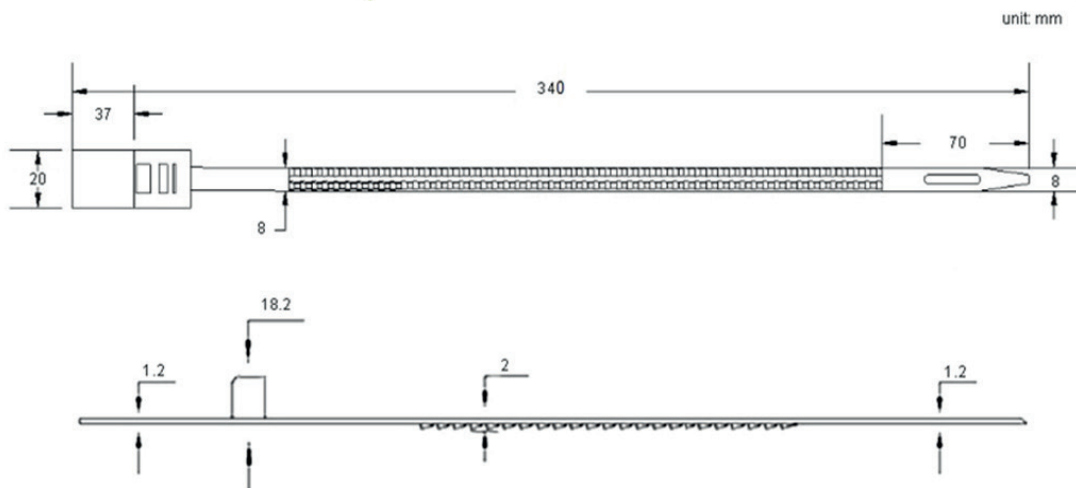
<b>Model No.</b>	PS-R5-WH550 (White) PS-R5-YL550 (Yellow) PS-R5-RD550 (Red)
<b>Material</b>	PP or PE; Stainless steel piece inside
<b>Size</b>	Total length: 550 mm; Flag: 90mm X 30mm; Tail: 460mm X 3mm;
<b>Specifications</b>	Pull tight locking construction Approx tensile strength: 30kgf Working temperature: -10 °C - 70°C
<b>Printing</b>	LOTO-LOK <sup>®</sup> brand and unique numbers on each seal. Client logo and serial numbers can be customized subject to minimum quantity.
<b>Color</b>	White / Yellow / Red  Other colors available subject to minimum quantity on forward delivery basis.






# LOTO-LOK<sup>®</sup>

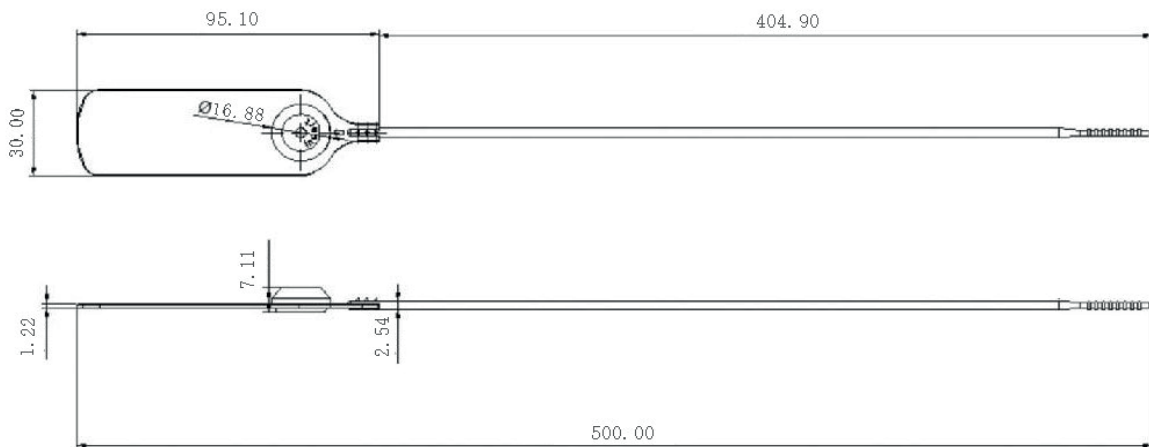
<b>Model No.</b>	PS-R2-WH340 (White) PS-R2-YL340 (Yellow) PS-R2-RD340 (Red) PS-R2-RB340 (Royal Blue) PS-R2-GN340 (Green)
<b>Material</b>	PP; All plastic, free of metal
<b>Size</b>	Total length: 340 mm
<b>Specifications</b>	Pull tight locking construction More than 30 locking points Average locking strength is 30kgf
<b>Printing</b>	LOTO-LOK <sup>®</sup> brand and unique numbers on each seal. Client logo and serial numbers can be customized subject to minimum quantity.
<b>Color</b>	White / Yellow / Red / Green / Royal Blue  Other colors available subject to minimum quantity on forward delivery basis.






# LOTO-LOK®

<b>Model No.</b>	PS-RTPS-WH500 (White) PS-RTPS-YL500 (Yellow) PS-RTPS-RD500 (Red) PS-RTPS-GN500 (Green)
<b>Material</b>	PP (Polypropylene)
<b>Size</b>	Total length: 500mm
<b>Specifications</b>	Pull tight locking mechanism with metal clip inside Approx tensile strength: 25kgf
<b>Printing</b>	LOTO-LOK® brand and unique numbers on each seal. Client logo and serial numbers can be customized subject to minimum quantity.
<b>Color</b>	White / Yellow / Red / Green  Other colors available subject to minimum quantity on forward delivery basis.



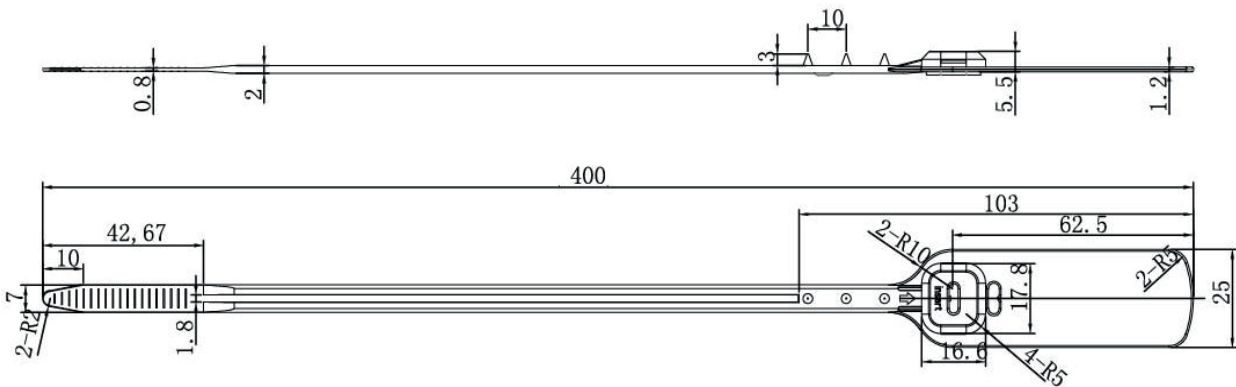


# LOTO-LOK<sup>®</sup>

<b>Model No.</b>	PS-ERPS-WH400 (White) PS-ERPS-YL400 (Yellow) PS-ERPS-RD400 (Red) PS-ERPS-GN400 (Green)
<b>Material</b>	PP (Polypropylene)
<b>Size</b>	Total length: 400 mm
<b>Specifications</b>	Pull tight locking mechanism with metal clip inside Approx tensile strength: 30kgf
<b>Printing</b>	LOTO-LOK <sup>®</sup> brand and unique numbers on each seal. Client logo and serial numbers can be customized subject to minimum quantity.
<b>Color</b>	White / Yellow / Red / Green  Other colors available subject to minimum quantity on forward delivery basis.




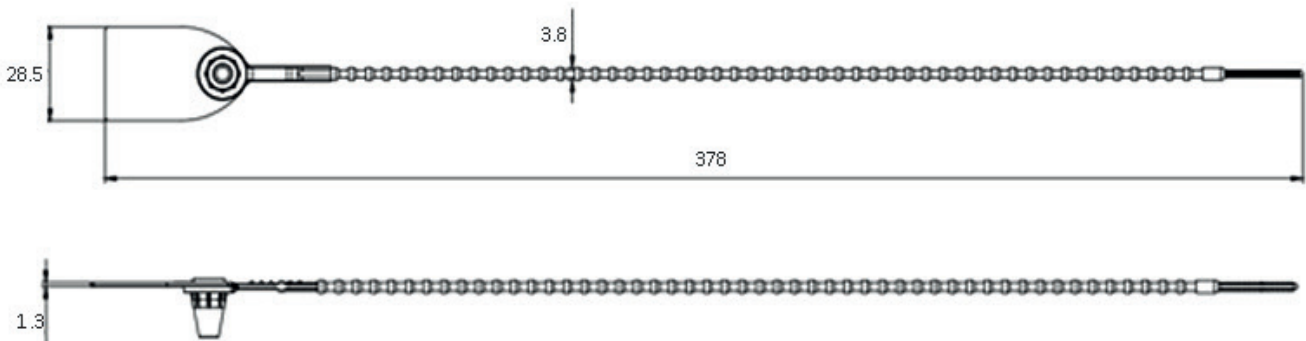
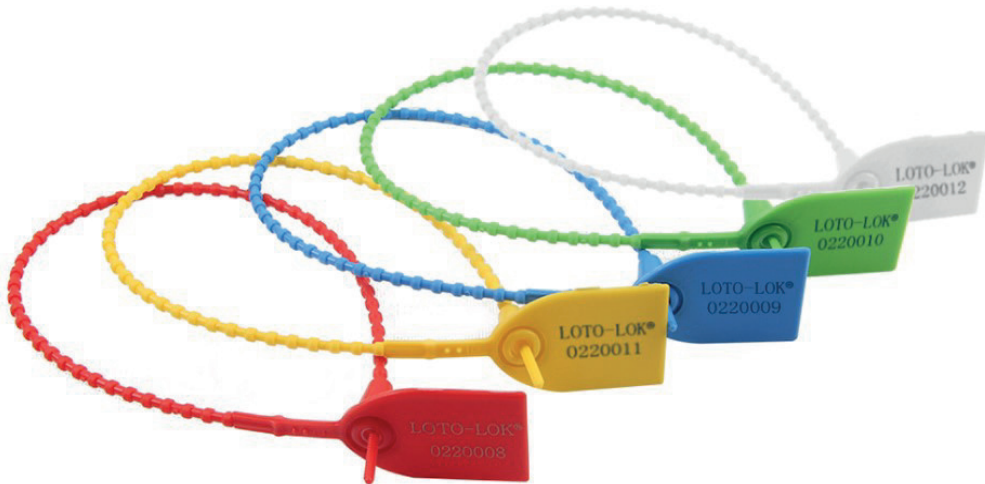
unit: mm





# LOTO-LOK®


<b>Model No.</b>	PS-Q390-WH (White) PS-Q390-YL (Yellow) PS-Q390-RD (Red) PS-Q390-GN (Green) PS-Q390-RB (Royal Blue)
<b>Material</b>	PP; All plastic, free of metal
<b>Size</b>	Total length: 378mm
<b>Specifications</b>	Pull tight locking mechanism More than 30 locking point Average tensile strength: 15kgf
<b>Printing</b>	LOTO-LOK® brand and unique numbers on each seal. Client logo and serial numbers can be customized subject to minimum quantity.
<b>Color</b>	White / Yellow / Red / Green / Royal Blue  Other colors available subject to minimum quantity on forward delivery basis.

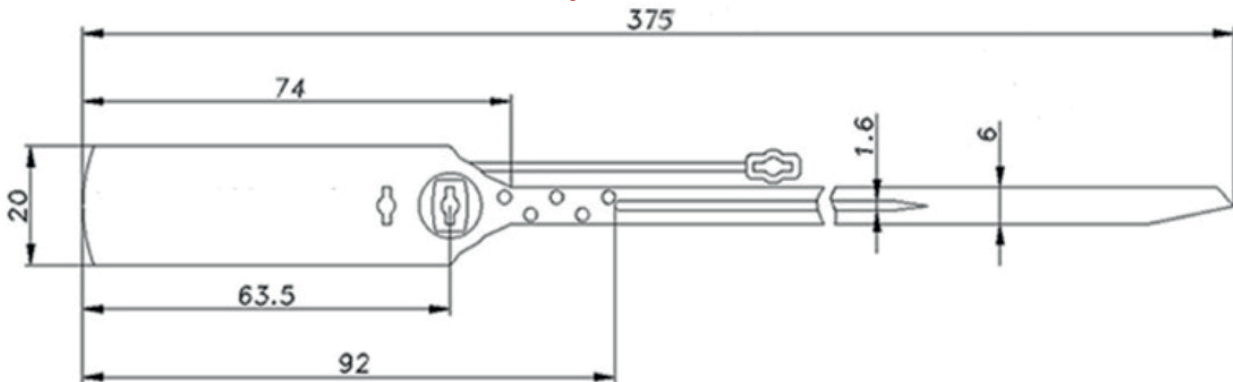






# LOTO-LOK<sup>®</sup>


<b>Model No.</b>	PS-375-WH (White) PS-375-YL (Yellow) PS-375-RD (Red)
<b>Material</b>	PP, metal lock insert
<b>Size</b>	Total length:375mm
<b>Specifications</b>	<b>Pull tight, more than 20 locking points.</b> <b>Tear-Off facility allows easy removal of seal.</b> <b>Printing area: 17*45mm.</b> <b>Approx tensile strength: 30kgf.</b>
<b>Printing</b>	LOTO-LOK <sup>®</sup> brand and unique numbers on each seal. Client logo and serial numbers can be customized subject to minimum quantity.
<b>Color</b>	White / Yellow / Red  Other colors available subject to minimum quantity on forward delivery basis.



unit:mm

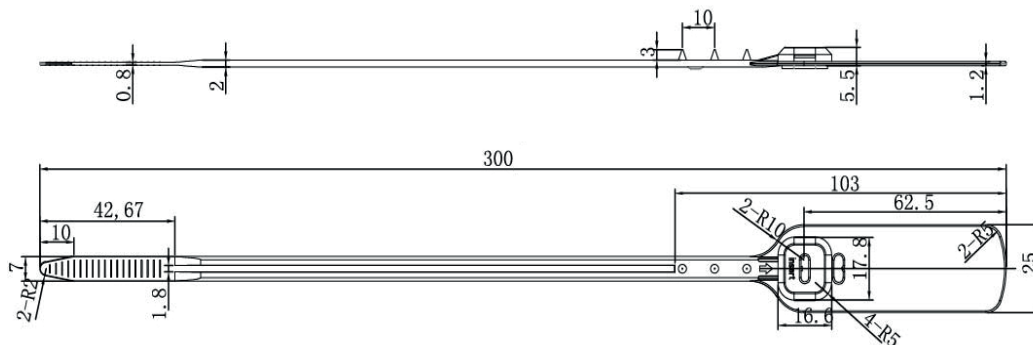


# LOTO-LOK<sup>®</sup>

<b>Model No.</b>	PS-ERPS-WH300 (White) PS-ERPS-YL300 (Yellow) PS-ERPS-RD300 (Red) PS-ERPS-GN300 (Green)
<b>Material</b>	PP (Polypropylene)
<b>Size</b>	Total length:300mm
<b>Specifications</b>	<b>Material: PP (Polypropylene)</b> <b>Pull tight locking mechanism with metal clip inside</b>
<b>Printing</b>	LOTO-LOK <sup>®</sup> brand and unique numbers on each seal. Client logo and serial numbers can be customized subject to minimum quantity.
<b>Color</b>	White / Yellow / Red / Green  Other colors available subject to minimum quantity on forward delivery basis.




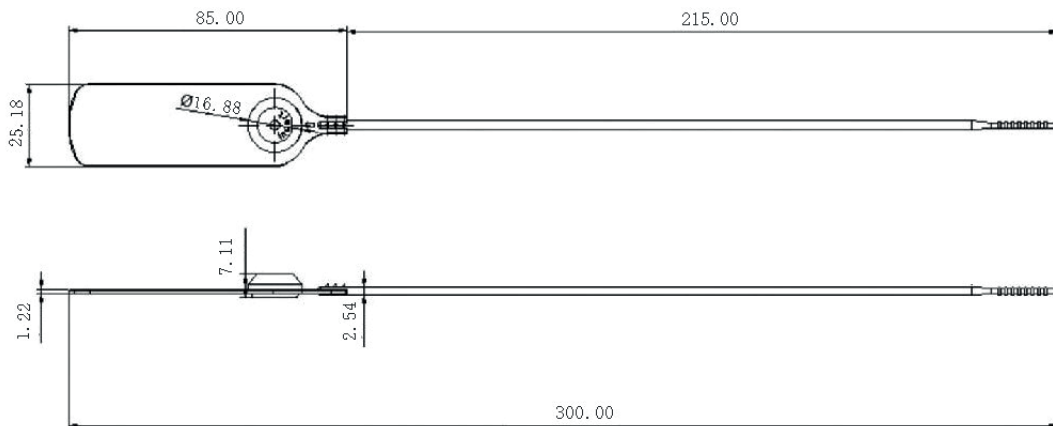
unit: mm






# LOTO-LOK<sup>®</sup>

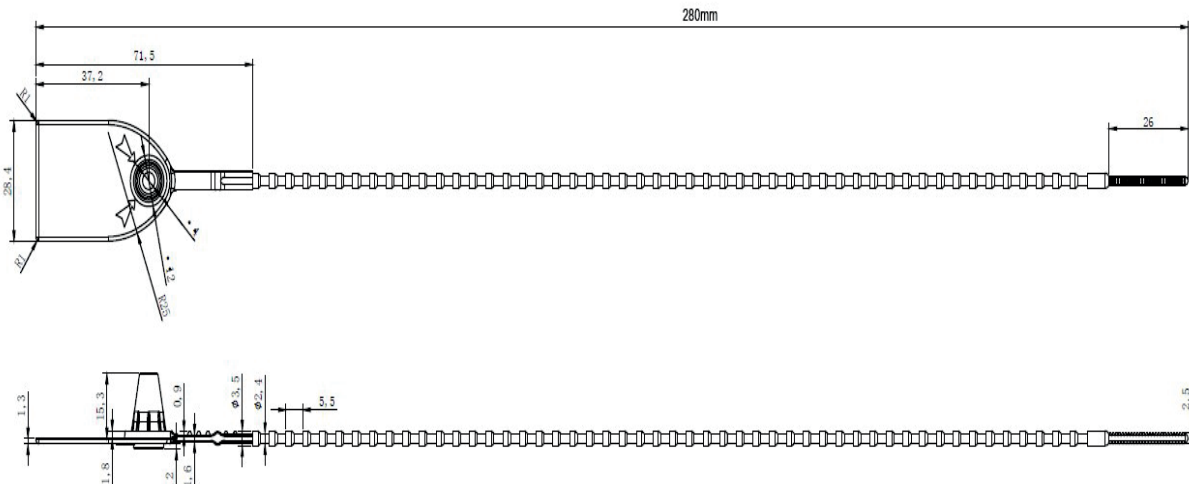
<b>Model No.</b>	PS-RTPS-WH300 (White) PS-RTPS-YL300 (Yellow) PS-RTPS-RD300 (Red) PS-RTPS-GN300 (Green)
<b>Material</b>	PP (Polypropylene)
<b>Size</b>	Total length:300mm
<b>Specifications</b>	<b>Pull tight locking mechanism with metal clip inside</b> <b>Average tensile strength: 35kgf.</b>
<b>Printing</b>	LOTO-LOK <sup>®</sup> brand and unique numbers on each seal. Client logo and serial numbers can be customized subject to minimum quantity.
<b>Color</b>	White / Yellow / Red / Green  Other colors available subject to minimum quantity on forward delivery basis.





# LOTO-LOK<sup>®</sup>


<b>Model No.</b>	PS-Q300-WH (White) PS-Q300-YL (Yellow) PS-Q300-RD (Red) PS-Q300-GN (Green) PS-Q300-RB (Royal Blue)
<b>Material</b>	PP / PE
<b>Size</b>	Total length:280mm
<b>Specifications</b>	Pull tight locking mechanism Total length: 280mm More than 30 locking point Average tensile strength: 15kgf
<b>Printing</b>	LOTO-LOK <sup>®</sup> brand and unique numbers on each seal. Client logo and serial numbers can be customized subject to minimum quantity.
<b>Color</b>	White / Yellow / Red / Green /Royal Blue  Other colors available subject to minimum quantity on forward delivery basis.

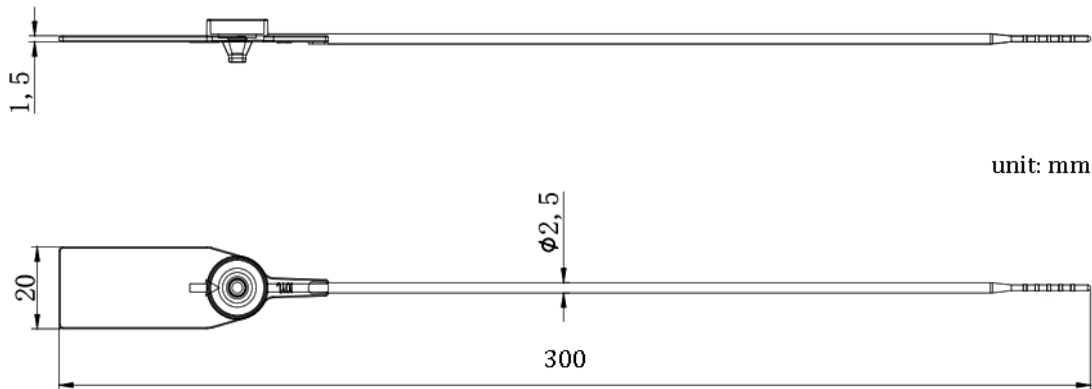







# LOTO-LOK<sup>®</sup>

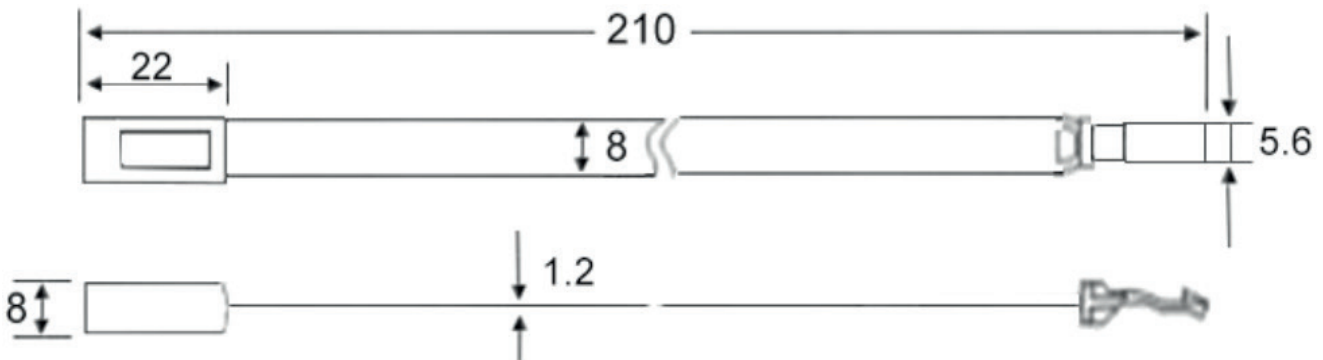
<b>Model No.</b>	PS-KTPS-WH300 (White) PS-KTPS-YL300 (Yellow) PS-KTPS-RD300 (Red) PS-KTPS-GN300 (Green)
<b>Material</b>	PP (Polypropylene) with metal clips
<b>Size</b>	Total length:300mm
<b>Specifications</b>	Fixed length, double locking mechanism Printing Area: 18*35mm; Strap Diameter: 2.50mm Average tensile strength: 25kgf
<b>Printing</b>	LOTO-LOK <sup>®</sup> brand and unique numbers on each seal. Client logo and serial numbers can be customized subject to minimum quantity.
<b>Color</b>	White / Yellow / Red / Green  Other colors available subject to minimum quantity on forward delivery basis.






# LOTO-LOK<sup>®</sup>

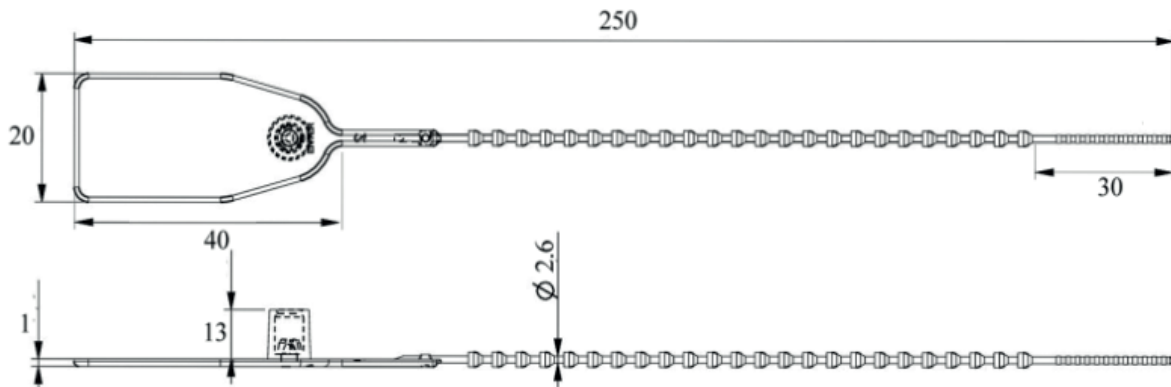
<b>Model No.</b>	PS-DHP-WH210 (White) PS-DHP-YL210 (Yellow) PS-DHP-RD210 (Red)
<b>Material</b>	PP (Polypropylene), free of metal
<b>Size</b>	Total length:210mm
<b>Specifications</b>	Fixed length locking mechanism Average tensile strength: 176 N
<b>Printing</b>	LOTO-LOK <sup>®</sup> brand and unique numbers on each seal. Client logo and serial numbers can be customized subject to minimum quantity.
<b>Color</b>	White / Yellow / Red  Other colors available subject to minimum quantity on forward delivery basis.






# LOTO-LOK<sup>®</sup>

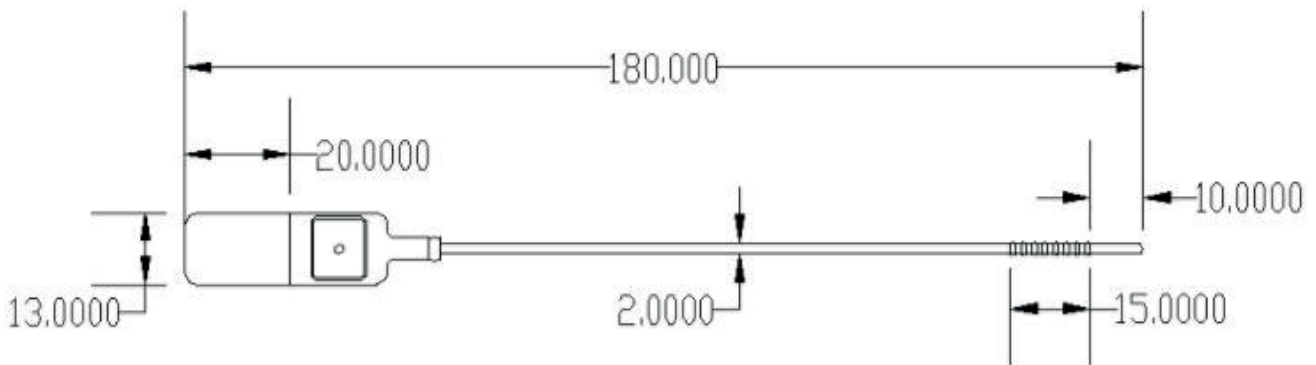
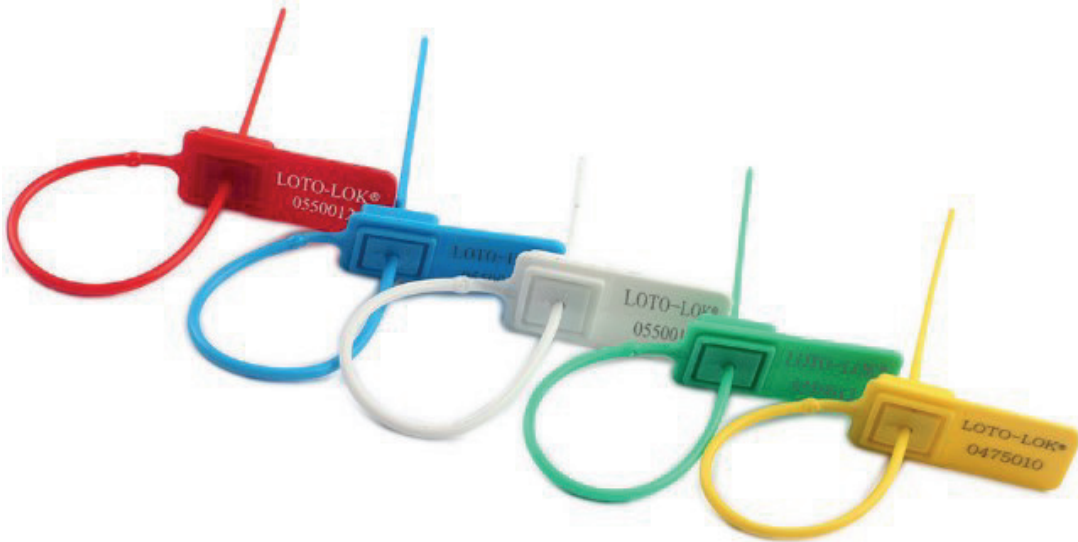
<b>Model No.</b>	PS-250B-WH (White) PS-250B-YL (Yellow) PS-250B-RD (Red) PS-250B-GN (Green) PS-250B-RB (Royal Blue)
<b>Material</b>	PP / PE, pure-plastic
<b>Size</b>	Total length:250mm
<b>Specifications</b>	Pull tight locking mechanism Total length: 250mm Average tensile strength: 15kgf
<b>Printing</b>	LOTO-LOK <sup>®</sup> brand and unique numbers on each seal. Client logo and serial numbers can be customized subject to minimum quantity.
<b>Color</b>	White / Yellow / Red / Green / Royal Blue  Other colors available subject to minimum quantity on forward delivery basis.





# LOTO-LOK®


<b>Model No.</b>	PS-18T-WH180 (White) PS-18T-YL180 (Yellow) PS-18T-RD180 (Red) PS-18T-GN180 (Green) PS-18T-RB180 (Royal Blue)
<b>Material</b>	PP (Polypropylene)
<b>Size</b>	Total length:180mm
<b>Specifications</b>	Pull tight locking mechanism with metal clip inside Average tensile strength: 15kgf
<b>Printing</b>	Client logo and serial numbers can be customized subject to minimum quantity.
<b>Color</b>	White / Yellow / Red / Green / Royal Blue  Other colors available subject to minimum quantity on forward delivery basis.

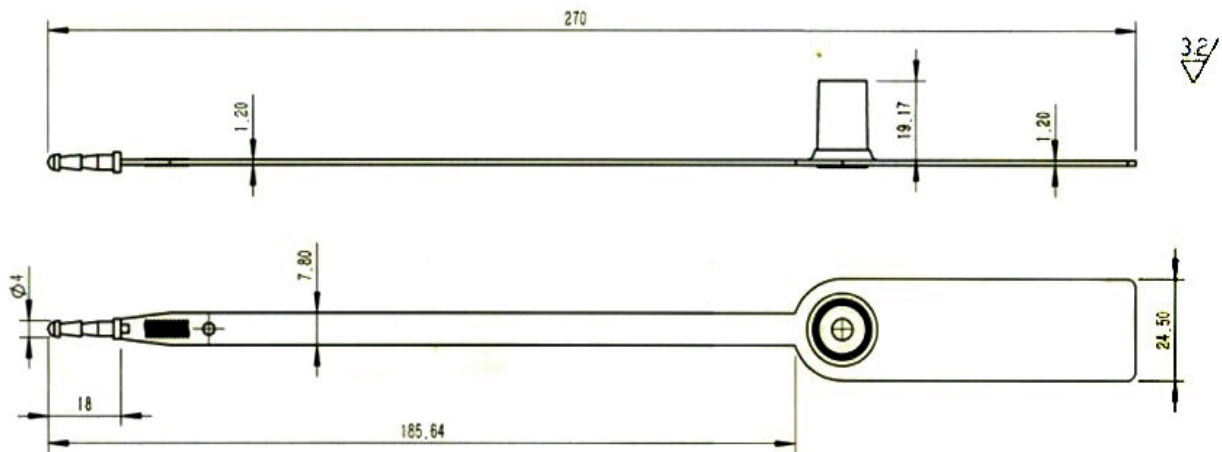







# LOTO-LOK®

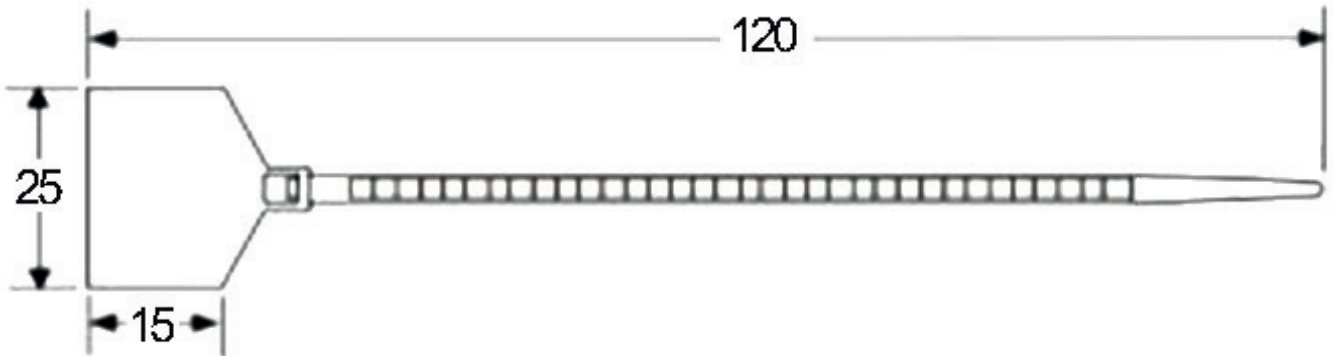
<b>Model No.</b>	PS-Y270-WH (White) PS-Y270-YL (Yellow) PS-Y270-RD (Red)
<b>Material</b>	PP; All plastic, free of metal
<b>Size</b>	Total length: 270mm
<b>Specifications</b>	Fixed length pure PP (Polypropylene) product Average tensile strength: 176 N Weight: 5g/pcs
<b>Printing</b>	LOTO-LOK® brand and unique numbers on each seal. Client logo and serial numbers can be customized subject to minimum quantity.
<b>Color</b>	White / Yellow / Red  Other colors available subject to minimum quantity on forward delivery basis.






# LOTO-LOK®

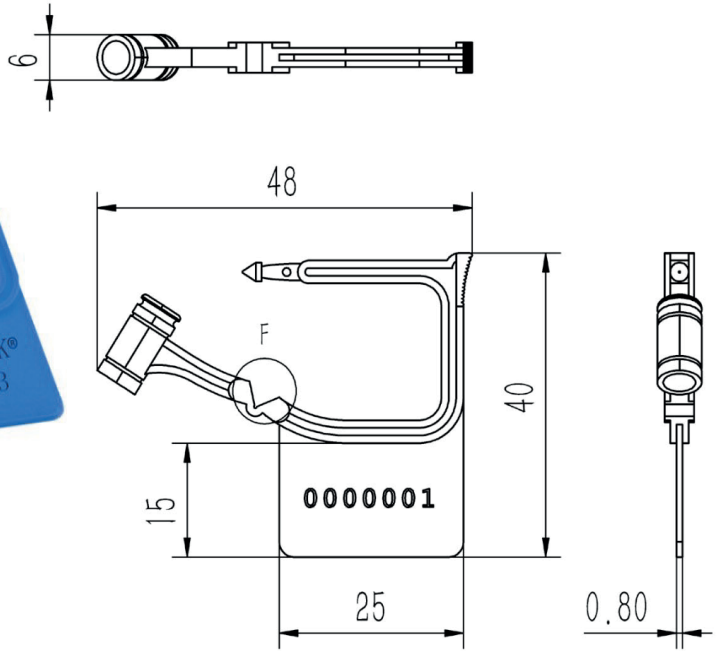
<b>Model No.</b>	PS-120WH (White) PS-120YL (Yellow) PS-120RD (Red) PS-120GN (Green)
<b>Material</b>	Nylon
<b>Size</b>	Total length:120mm
<b>Specifications</b>	<b>Pull type sealing strip</b> <b>Flag Dimension: 25*15mm</b> <b>Weight: 0.9G/PCS</b>
<b>Printing</b>	LOTO-LOK® brand and unique numbers on each seal. Client logo and serial numbers can be customized subject to minimum quantity.
<b>Color</b>	White / Yellow / Red / Green  Other colors available subject to minimum quantity on forward delivery basis.





# LOTO-LOK<sup>®</sup>


<b>Model No.</b>	PS-PL05-WH (White) PS-PL05-YL (Yellow) PS-PL05-RD (Red) PS-PL05-GN (Green) PS-PL05-RB (Royal Blue)
<b>Material</b>	Polypropylene. Pure-plastic product, recyclable
<b>Size</b>	Width: 48mm, Length: 40mm
<b>Specifications</b>	Self-locking fixed type, easy use Tensile strength: about 5kgf
<b>Printing</b>	LOTO-LOK <sup>®</sup> brand and unique numbers on each seal. Client logo and serial numbers can be customized subject to minimum quantity.
<b>Color</b>	White / Yellow / Red / Green / Royal Blue  Other colors available subject to minimum quantity on forward delivery basis.



# LOCKOUT / TAGOUT & ARC FLASH PPE SAVES LIVES

Is your facility compliant to OSHA 29 CFR 1910.147 standard?

## LOCKOUT / TAGOUT

 **Electrical Lockouts**

 **Identification**

 **Mechanical Lockouts**

 **Assessment**

 **Safety Padlocks**

 **Demonstration**

 **Danger Tags**

 **Supply**

 **Group Lockout**

 **Installation Support**

### LOTO DEVICES, PADLOCKS AND TAGS FOR ISOLATION OF HAZARDOUS ENERGY



Safety Lockout Padlocks



Lockout Hasps



Circuit Breaker Lockouts



KAB-O-LOK Cable Lockouts



Mechanical Lockouts



Plug Lockouts



Panel Lockouts



Group Lock Box



Key Safe Box



Loto Stations



Key & Padlock Cabinets



Lockout Tags

### ELECTRICAL SAFETY SOLUTIONS ARC FLASH PROTECTION PPE



Wall Mounted Rescue Kit



Arc Rated Balaclava



Arc Rated Helmet & Visor



CEI IEC 61243-1 Contact Voltage Detectors



Earthing & Short circuiting kits



Voltage Detectors



**LOTO SAFETY REQUISITES TRADING L.L.C.**

Belresheed Warehouse No.7, Next To Jacky's Electronics, Nad Al Hamar, P.O Box 114738, Dubai - UAE

Tel: +971-4-4539779 E-mail: [info@lotosafetyproducts.com](mailto:info@lotosafetyproducts.com) [www.lotosafetyproducts.com](http://www.lotosafetyproducts.com)